



Local Power Worldwide

LE-v150 Storm

Our toughest wind turbine yet for the most challenging environments



+44 1981 241668



sales@leadingedgepower.com



www.leadingedgepower.com

[@leadingedgepower](https://www.instagram.com/leadingedgepower) @

LE-v150 Storm Features



Rugged

Stainless steel blades can survive winds of up to 45m/s (100mph)

Output

24W at 8m/s (17.8mph), 200W max

Robust

Tri-blade locking mechanism provides superior stability in extreme winds

Ideal for sub-zero temperatures

Keeps on working down to -40 degC

Small and compact

Easy to install where space is limited

Fully marinised

Designed for coastal locations and the corrosive salt water environment

Proven in the most challenging environments

This robust and compact vertical axis turbine is designed for a host of different battery charging applications, ranging from marine to data communications and rural broadband.

The LE-v150 Storm features a tri-blade locking mechanism design for superior stability in the most extreme weather environments. The adapted mid support bracket provides increased stability where the highest force occurs.

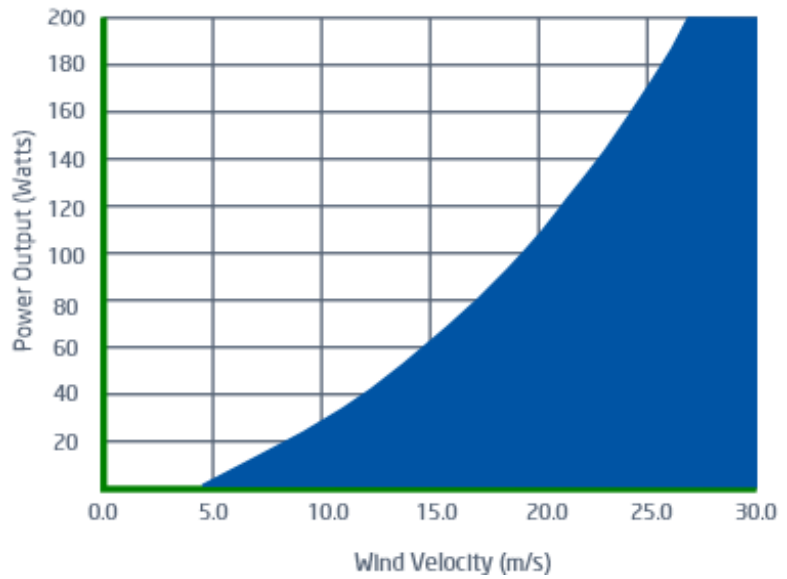
It's design means it can survive storm force winds that would destroy a traditional horizontal wind turbine.

At 270mm wide, the turbine fits into spaces that a traditional horizontal axis turbine simply can't.

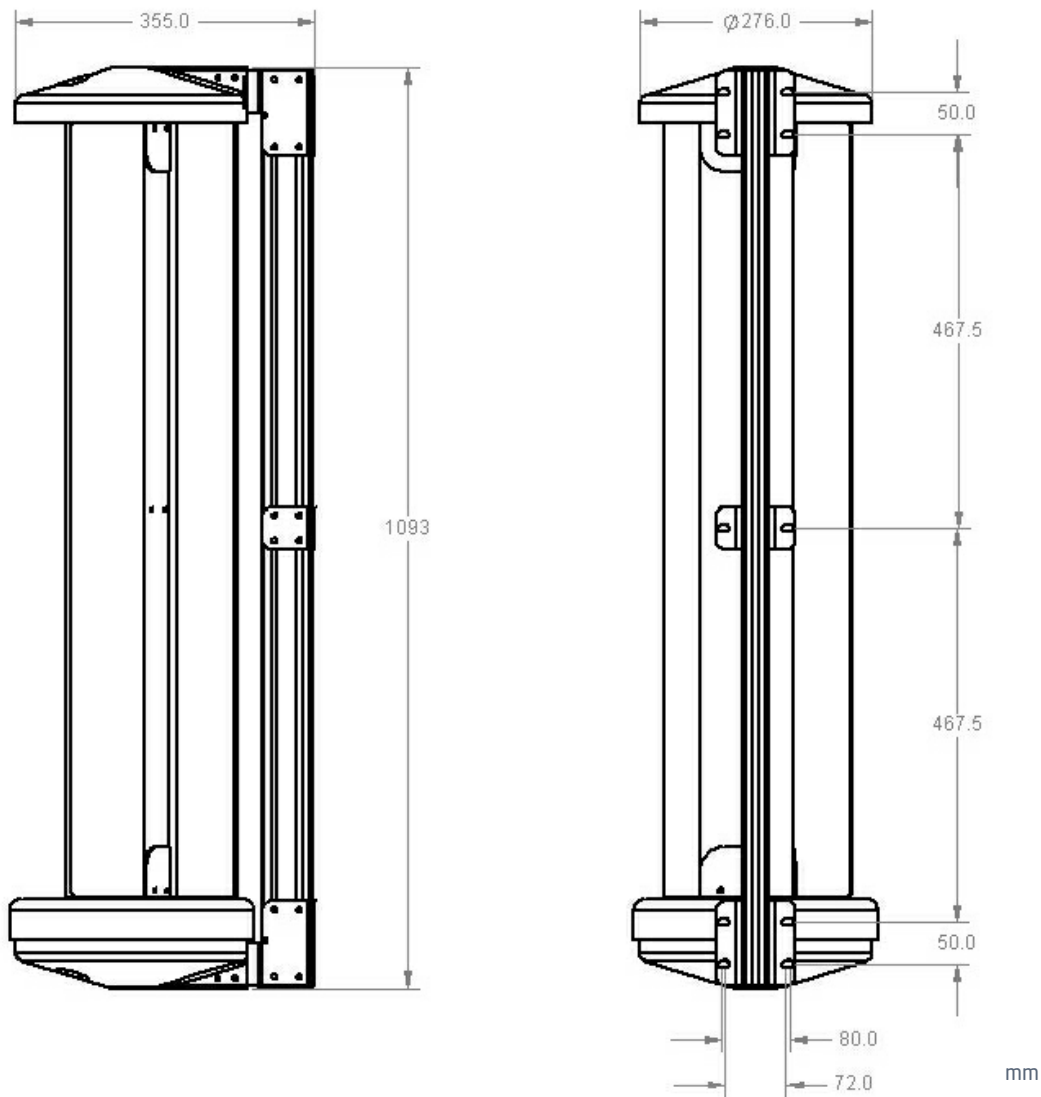
The LE-v150 Storm has stainless steel sealed bearings and no greasing or maintenance is required. With only 1 moving part and no brushes or slip-rings to wear out, there is little to go wrong.

LE-v150 Storm Technical

- vRotor diameter - 270mm
- Height - 918mm
- Rotor type - 3-Blade savonius
- Blade material - Stainless steel
- Rated output - 24W at 8m/s (18mph)
- Peak output - 200W
- Cut-in speed - 5m/s (11mph)
- Survival wind speed - 45m/s (100mph)
- Weight - 9Kg
- Warranty - 2 years
- DC Voltage output - 12V, 24V, 48V



Wind turbine performance is subject to many factors. All output data contained in this document is indicative and actual turbine outputs will depend on the prevailing site and installation conditions.



Industrial off-grid

LE-v150 Storm Applications



- Data logging
- LoRaWAN & IOT
- CCTV
- Rural broadband
- Radio communications
- Environmental monitoring

Our LE-v150 Storm vertical axis turbine is adapted for storm force winds and sub zero temperatures. The LE-v150 Storm is suitable for use in challenging environments where space is limited such as on telecoms towers, CCTV stations.

Where wind speeds regularly reach over 35m/s (80mph), the LE-v150 Storm is the wind turbine of choice. It features enhancements that reduce the stress and fatigue on the blades during prolonged periods of storm force winds. The overall turbine RPM is reduced while maintaining

the same power output as the standard LE-v150. In sub-zero temperatures, the black body absorbs UV light to help prevent ice build up while the low-temperature bearings mean the turbine continues generating power at temperatures down to -40 degC.



Call +44 (0) 1981 241668
www.leadingedgepower.com

Leading Edge Turbines
Skyrrid Farm | Pontrilas
Herefordshire | HR2 0BW
sales@leadingedgepower.com

Copyright © 2023 Leading Edge Turbines