



**Local Power Worldwide**

# LE-300

**Designed for industrial applications, durability and reliability are at the heart of the LE-300**



 +44 1981 241668

 [sales@leadingedgepower.com](mailto:sales@leadingedgepower.com)

 [www.leadingedgepower.com](http://www.leadingedgepower.com)

[@leadingedgepower](https://www.instagram.com/leadingedgepower) 

# LE-300 Features



## High outputs

85W at 8m/s (17.8mph), 300W max

## Quiet

Just 6dB(A) above background

## Reliable

Precision engineered in the UK with only two moving parts

## Rugged

Withstands storm force winds up to 27m/s, 60mph

## Light

Weighs just 6.5Kg, reducing the loading on the support structure and making it easy to install in difficult locations

## Piece of mind

Industry leading 5-year warranty

## Renowned for being quiet thanks to our Whispower blade design

This compact and quiet horizontal axis turbine is considered to be the most rugged and reliable small wind turbine in its class. All at an affordable price.

The LE-300 is designed around a unique low inertia axial flux generator which utilises Neodymium rare earth magnetic materials. This alternator has zero 'cogging' which, together with its highly efficient blades, allows the turbine to generate power at very low wind speeds and deliver a higher output than the competition in high wind speeds.

The LE-300 survives winds up to 27m/s (60mph) by means of a simple passive aerodynamic design that reduces turbine RPM and power output at a certain threshold.

The robust aluminium alloy chassis and stainless steel components are protected from the elements with aerospace grade coatings and anodising.

# LE-300 Technical Overview

Rotor diameter - 1 metre

Rotor Type - 3-Blade upwind

Blade Material - Glass Reinforced, UV resistant Nylon

Rated output - 85W at 8m/s (18mph)

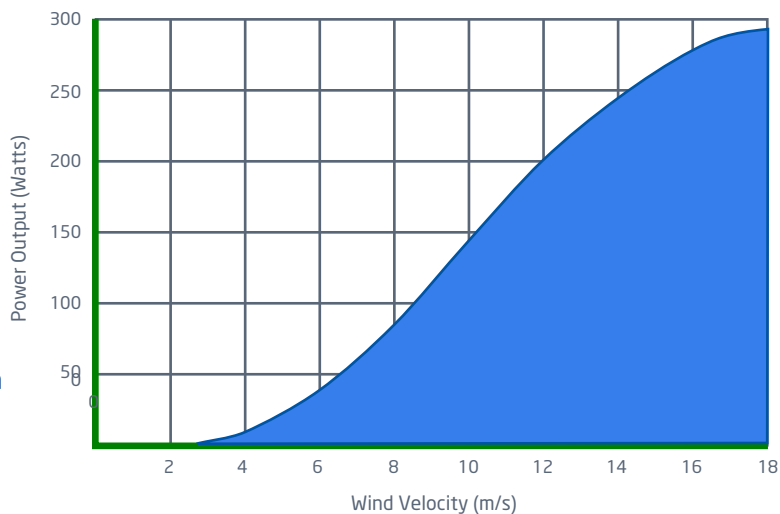
Peak output - 300W

Cut-in speed - 3m/s (6.7mph)

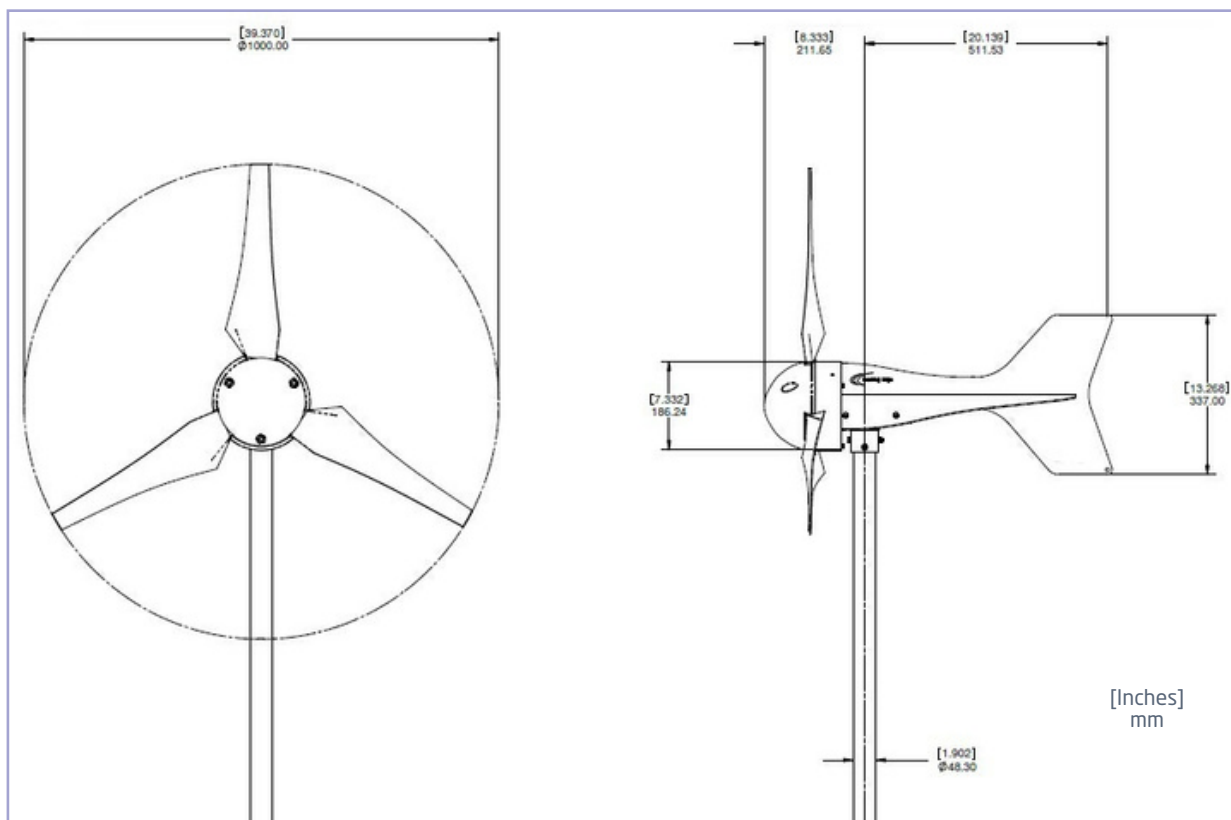
Warranted wind speed - 27m/s, 60mph

Weight - 6.5Kg

DC output voltage - 12V, 24V or 48V



Wind turbine performance is subject to many factors. All output data contained in this document is indicative and actual turbine outputs will depend on the prevailing site and installation conditions.



For the LE-300, during the first two years of the warranty period any component found to be defective in material or workmanship will, at the discretion of Leading Edge, be replaced or repaired at no charge. For the remaining three years of the warranty period, Leading Edge will supply 'non-wearing' parts at no cost.

The LE-300 is fully optimised for the corrosive marine environment. The robust aluminium alloy chassis is marine quality finished and stainless steel counterweights that prevent the turbine spinning out of the wind in choppy waters.

Industrial & residential off-grid

# LE-300 Applications



- Data communications
- Telemetry
- Security
- LED Lighting systems
- Road signage
- Environmental monitoring

Our LE-300 horizontal axis turbine is a quiet and powerful yet lightweight 300 watt wind generator for battery charging applications. It is used extensively in a variety of industrial and marine applications.

In a typical stand alone system, the turbine sits on a tower (see our Guyed Tower Kit) and is connected to a battery bank via a maintenance (run/stop) switch. A charge controller is used to divert excess power to a dump load when your batteries are full.

The LE-300 is often combined with Solar PV panels in 'power hungry' off-grid renewable energy systems. Both systems are connected directly onto the batteries and each has their own controller.



Call +44 (0) 1981 241668  
[www.leadingedgepower.com](http://www.leadingedgepower.com)

Leading Edge Turbines  
Skyrrid Farm | Pontrilas  
Herefordshire | HR2 0BW  
[sales@leadingedgepower.com](mailto:sales@leadingedgepower.com)

Copyright © 2023 Leading Edge Turbines